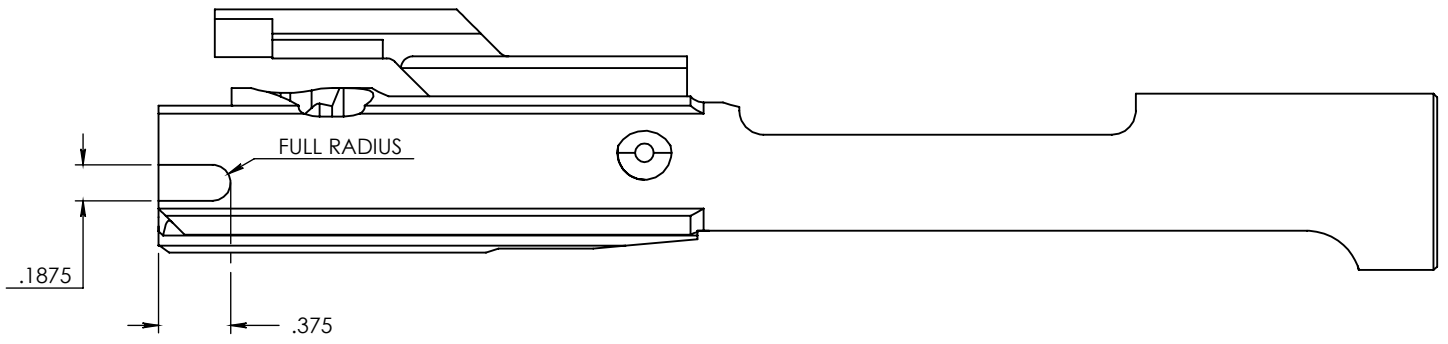
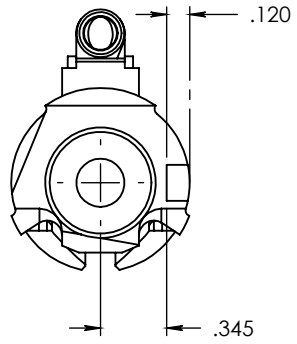


Rev	Description	Date	Approved
NC	INITIAL RELEASE	11/16/2009	JPS



THIS NOTCH TO BE INSTALLED



TO MODIFY AMERICAN SPIRIT ARMS CARRIER FOR THE SIDE CHARGER RECEIVER

⚠ NO NICKS DINGS OR CHIPMARKS

PROPRIETARY AND CONFIDENTIAL

THE INFORMATION CONTAINED IN THIS DRAWING IS THE SOLE PROPERTY OF AMERICAN SPIRIT ARMS. ANY REPRODUCTION IN PART OR AS A WHOLE WITHOUT THE WRITTEN PERMISSION OF AMERICAN SPIRIT ARMS IS PROHIBITED.

UNLESS OTHERWISE SPECIFIED:
 DIMENSIONS ARE IN INCHES
 TOLERANCES:
 BREAK EDGES .005-.020
 ANGLES: ±1° FILLETS .005-.020R
 TWO PLACE DECIMAL ±.01
 THREE PLACE DECIMAL ±.005
 FOUR PLACE DECIMAL ±.001

INTERPRET GEOMETRIC TOLERANCING PER: ANSI Y-14.5M 1982
 MATERIAL
 FINISH 125 MAX
 DO NOT SCALE DRAWING

CHECKED	NAME	DATE
ENG.		4/5/2010
Q.A.		4/5/2010
DRAWN BY	DATE	Monday, November 16, 2009 12:01:44 PM

COMMENTS:

AMERICAN SPIRIT ARMS		
TITLE: CARRIER MOD FOR SIDE CHARGER RECEIVER		
SIZE A	PART NO.	REV NC
SCALE: :	WEIGHT:	SHEET 1 OF 1